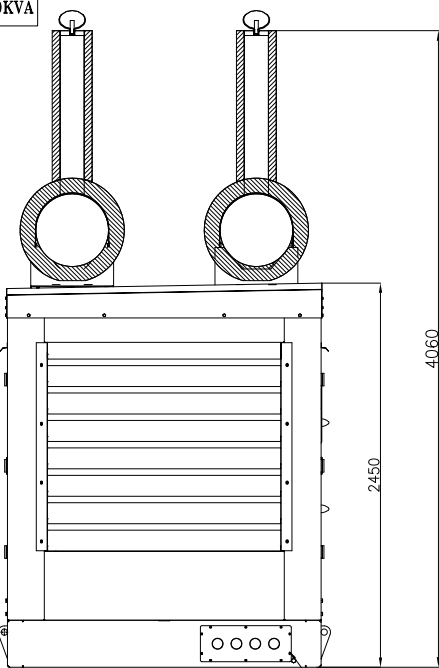
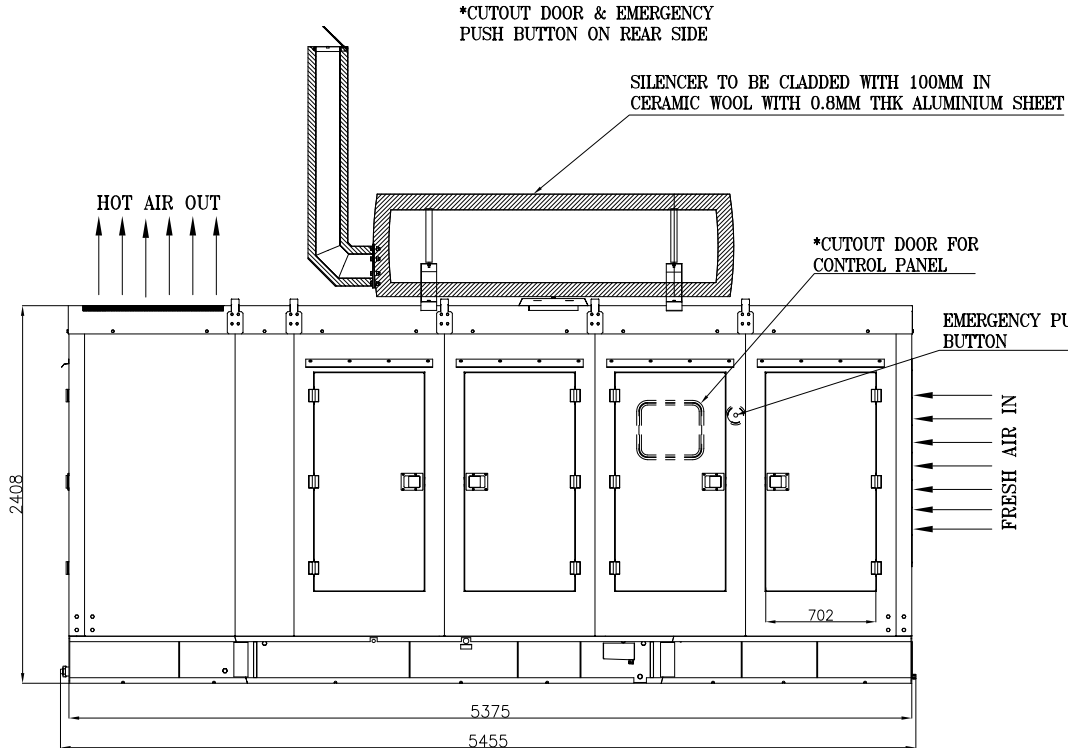


DV8 - 380KVA

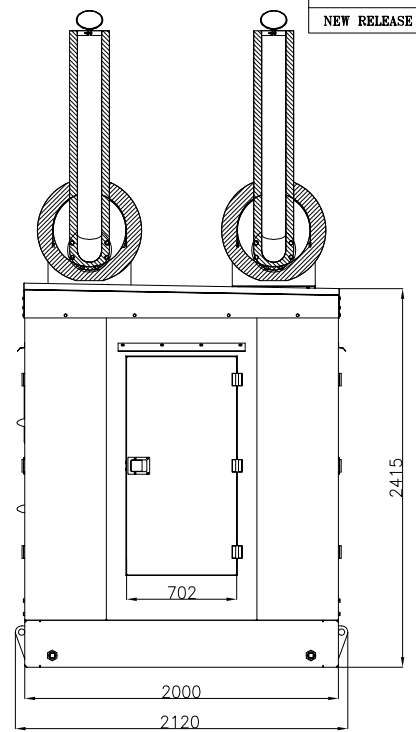
DESCRIPTION	REV
NEW RELEASE	00



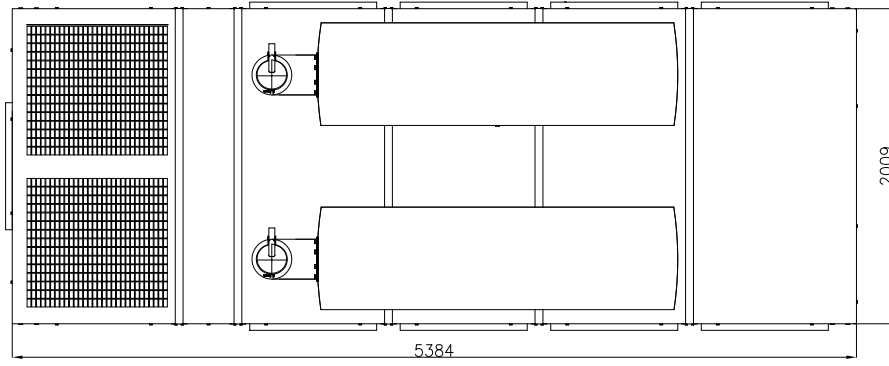
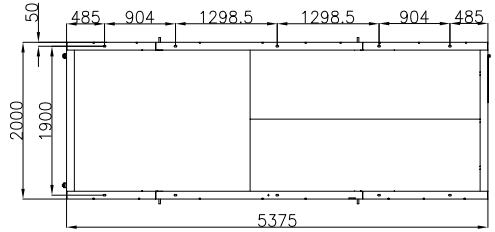
VIEW FROM ALTERNATOR



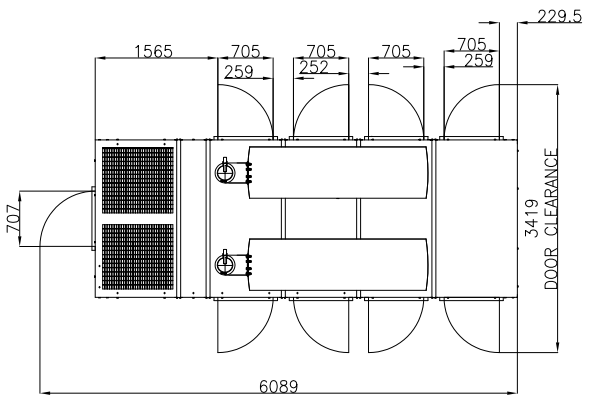
VIEW FROM FRONT



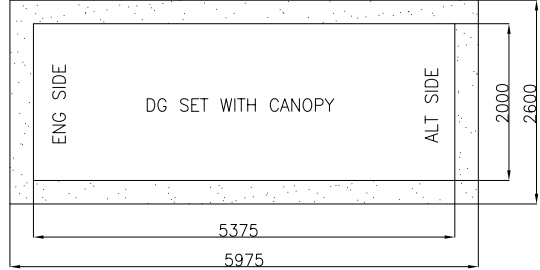
VIEW FROM ENGINE



VIEW FROM TOP



INSTALLATION PLAN FOR OPEN DOOR



FOUNDATION LAYOUT

- NOTES:
1. FUEL TANK CAPACITY: 990 LITRES
 2. HEIGHT OF FOUNDATION ABOVE FFL CAN BE MODIFIED DEPENDING UPON WATER STAGNATION.
 3. DEPTH BELOW FFL DEPEND UPON THE SOIL CONDITION AT SITE
 4. APPROX DEPTH BELOW FFL= 500MM
 5. PCC OR RCC SHALL BE BASED ON SOIL CONDITION
 6. HEIGHT OF GENSET = 4060 MM (13.32ft)
 7. WIDTH OF GENSET = 2000 MM (6.56ft)
 8. LENGTH OF GENSET = 5384 MM (17.66ft)

IF IN DOUBT ASK PRINTS OF PREVIOUS REVISION NO. SHOULD BE SCRAPPED

THIS DRAWING IS PROPERTY OF SUNBEAM GENERATOR PVT LTD. AND MUST BE RETURNED OR DESTROYED IF IT IS SUBMITTED AS CONFIDENTIAL INFORMATION WITH OUR DRAWING, TENDER, ORDER OR CONTRACT NO. IT IS NOT TO BE ISSUED FOR ANY OTHER PURPOSE OR GROUP WORK MAY BE COPIED OR LENT WITHOUT OUR AUTHORITY IN WRITING.

UNLESS OTHERWISE SPECIFIED				LIFECYCLE STATE:-	
• ALL DIMENSIONS ARE IN mm.				RELEASED	
• SURFACE ROUGHNESS AS PER CO. STANDARD.				CASTING/FORGING ORG. NO.	---
• UNDIMENSIONED TOLERANCES AS PER IS:12781-1:2007.				MATERIAL :-	HEAT TREATMENT :-
• FOR COLOURING:100%.				DRN	D.PRAKASH
• REMOVING ALL SHARP EDGES AND SWAMP EDGES.				CHD.	T.M.ARUNKUMAR
• DRAWING NOT TO BE SCALED.				APPD.	---
UNMENTIONED				DATE	11.03.2015
RADI				---	
CHAMFER				---	
UNDERCUT				---	
NO.			REVISION	ZONE	MODIFIED BY
REF. No.			DATE	---	
TITLE			SUNBEAM GENERATOR PVT LTD., PONDICHERRY (INDIA)		
DRAWING NO.			SBG/GA-FND-380KVA		
REV. NO.			00		